

Continental

Refrigerator

EXTRA-WIDE FREEZERS



1FE



1FX



2FE



3FE

Standard Features

- Modern, State-of-the-Art Styling
- Performance Rated Refrigeration System Designed for 0°F Cabinet
- 3" Non-CFC Polyurethane Foam Insulation
- Chrome Plated Flow Line Handles
- Cam-Action Lift-Off Hinges
- Self-Closing Doors
- Automatic Interior Lighting
- Magnetic Snap-In Door Gasket
- Cylinder Lock In Each Door
- Automatic Electric Condensate Evaporator
- 5" Casters
- Heavy-Duty, Epoxy-Coated Steel Shelves
- External Dial Thermometer
- Automatic Electric Defrost

Standard (S/S Front, Aluminum End Panels & Interior) Suffix SA (S/S Exterior, Aluminum Interior)

Suffix SS (S/S Exterior & Interior)

Optional Features & Accessories

- Stainless Steel Case Back
- Pan Slide Assemblies
- Increased Refrigeration Systems
- Stainless Steel Shelves
- Stainless Steel or Black Legs
- Rehinging of Doors
- Half Door Model
- Remote Model
- Pass-Thru Model
- Shallow Depth Model
- Digital Thermometer

Utilizing Environmentally Safe, CFC-free R-404A Refrigerant



c



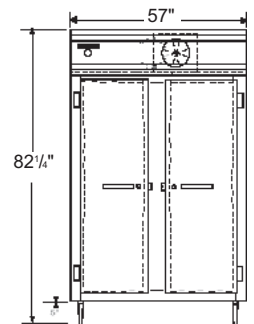
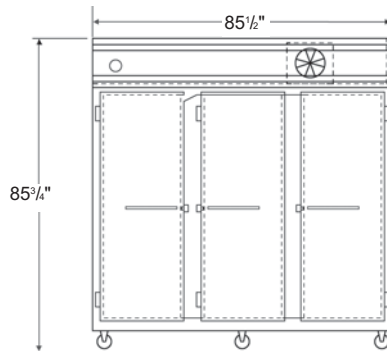
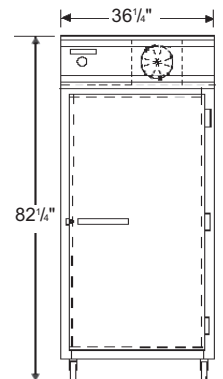
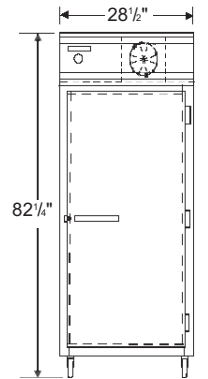
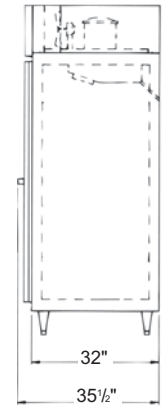
Extra-Wide Refrigerators

| CHARACTERISTICS | 1FE | | 1FX | | 2FE | | 3FE | | |
|--|----------|-----------|----------|-----------|----------|------------------|------------------|------------------|--|
| | Reach-In | Pass-Thru | Reach-In | Pass-Thru | Reach-In | Pass-Thru | Reach-In | Pass-Thru | |
| DIMENSIONAL DATA | | | | | | | | | |
| Net Capacity (cu.ft.) | 21 | 21 | 30 | 30 | 50 | 50 | 73 | 73 | |
| Width, Overall (in.) | 28½ | 28½ | 36¼ | 36¼ | 57 | 57 | 85½ | 85½ | |
| Depth, Overall (Incl. Hdls.) (in.) | 35½ | 39 | 35½ | 39 | 35½ | 39 | 35½ | 39 | |
| Depth (Less Door(s)) (in.) | 32 | 32 | 32 | 32 | 32 | 32 | 32 | 32 | |
| Depth (Door(s) Open 90°) (in.) | 58 | 84 | 66 | 100 | 58 | 84 | 58 | 84 | |
| Clear Door Width (in.) | 21⅞ | 21⅞ | 29⅞ | 29⅞ | 21⅞ | 21⅞ | 21⅞ | 21⅞ | |
| Clear Full-Door Height (in.) | 58⅞ | 58⅞ | 58⅞ | 58⅞ | 58⅞ | 58⅞ | 58⅞ | 58⅞ | |
| Clear Half-Door Height (in.) | 27½ | 27½ | 27½ | 27½ | 27½ | 27½ | 27½ | 27½ | |
| Height, Overall (Incl. 5" Casters) (in.) | 82¼ | 82¼ | 82¼ | 82¼ | 82¼ | 85¼ | 85¼ | 85¼ | |
| Full Door(s) | 1 | 2 | 1 | 2 | 2 | 4 | 3 | 6 | |
| Half Door(s) | 2 | 4 | 2 | 4 | 4 | 8 | 6 | 12 | |
| Shelves | 3 | 3 | 3 | 3 | 6 | 6 | 9 | 9 | |
| Shelf Area (sq. ft.) | 20.4 | 20.4 | 24.4 | 24.4 | 40.8 | 40.8 | 61.2 | 61.2 | |
| Tray Slide Capacity (Half) | 11 ea. | 11 ea. | 12 ea. | 12 ea. | 11 ea. | 11 ea. | 11 ea. | 11 ea. | |
| Tray Slide Capacity (Full) | 24 ea. | 24 ea. | 24 ea. | 24 ea. | 24 ea. | 24 ea. | 24 ea. | 24 ea. | |
| REFRIGERATION DATA | | | | | | | | | |
| Condensing Unit Size (H.P.) | ⅓ | ⅓ | ½ | ½ | ½ | ¾ | ¾ | 1 | |
| Capacity (BTU/Hr)* | 1590 | 1590 | 1840 | 1840 | 2470 | 3575 | 3575 | 4325 | |
| ELECTRICAL DATA | | | | | | | | | |
| Cabinet Specifications | 115/60/1 | 115/60/1 | 115/60/1 | 115/60/1 | 115/60/1 | 115/208-230/60/1 | 115/208-230/60/1 | 115/208-230/60/1 | |
| Feed Wires (Incl. Ground) | 3 | 3 | 3 | 3 | 3 | 4 | 4 | 4 | |
| Condensing Unit Specs. | 115/60/1 | 115/60/1 | 115/60/1 | 115/60/1 | 115/60/1 | 208-230/60/1 | 208-230/60/1 | 208-230/60/1 | |
| Total Amperes | 7.6 | 8.0 | 10.3 | 10.6 | 10.0 | 9.3 | 12.1 | 14.3 | |
| Cabinet Amperes | 1.6 | 1.9 | 1.8 | 2.1 | 1.9 | 2.9 | 2.9 | 3.9 | |
| Defrost Amperes | 5.2 | 5.2 | 6.5 | 6.5 | 6.5 | 9.6 | 9.6 | 9.6 | |
| Power Supply Cord | yes | yes | yes | yes | yes | no | no | no | |
| SHIPPING DATA | | | | | | | | | |
| Height – crated (in.) | 85½ | 85½ | 85½ | 85½ | 85½ | 85½ | 85½ | 85½ | |
| Width – crated (in.) | 31⅞ | 31⅞ | 42 | 42 | 64 | 64 | 90 | 90 | |
| Depth – crated (in.) | 42 | 42 | 42 | 42 | 42 | 42 | 42 | 42 | |
| Volume – crated (cu. ft.) | 63 | 63 | 87 | 87 | 129 | 129 | 181 | 181 | |
| Weight Std – crated (lbs.) | 345 | 375 | 445 | 450 | 595 | 695 | 850 | 945 | |
| Weight SS – crated (lbs.) | 395 | 435 | 505 | 510 | 675 | 785 | 965 | 1060 | |
| Weight Std – uncrated (lbs.) | 245 | 275 | 345 | 350 | 425 | 535 | 640 | 735 | |
| Weight SS – uncrated (lbs.) | 295 | 335 | 405 | 410 | 525 | 615 | 755 | 850 | |

*Rating @ -15°F Evaporator, 90° Ambient

Note: If the cabinet is located directly against wall and/or under low ceiling, a minimum clearance of 2" is required.

Note: All specifications subject to change without notice.



A Division of National Refrigeration & A/C Products, Inc.
 539 Dunksferry Road Bensalem, PA 19020
 (800) 523-7138 Fax: (215) 244-9579
 www.continentalrefrigerator.com